

SHELTER
ASSEMBLY MANUAL
MODEL # 1326P

L8.0xW4.0xH3.8m



SPECIFICATION

Length: 8.0m Width: 4.0m Height: 3.8m

IMPORTANT-----READ MANUAL FIRST

Improper site preparation, Assembly and Maintenance may invalidate warranty and cause unnecessary and costly mistakes. If you have any questions contact your local dealer.

For User Friendly assembly we have identified each individual component with the part code as indicated in the parts list. Please refer to the part code numbers and drawing to ensure problem free assembly.

It's necessary to tighten the roof fabric enough to avoid "hammocks" on the roof and also re-tighten once or twice again after a few months of use. This is important when assembly in cold weather (autumn and winter) because the fabric is stiff then and when we got the sun and warm weather afterwards it will make the fabric "slack" again and need to be re-tighten before next winter.

It's **the owners responsibility** to take of snow immediately if not slide off by itself.

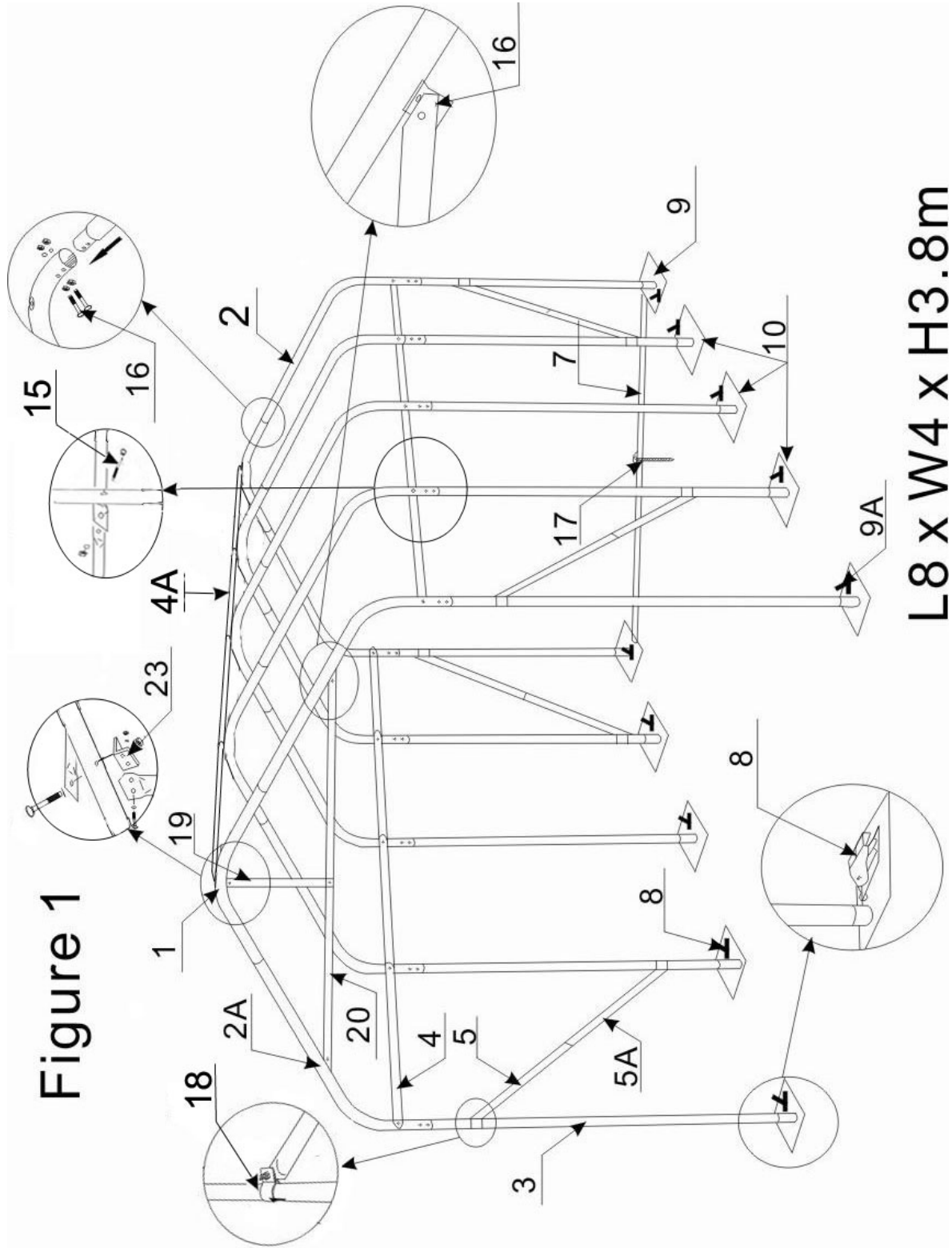
READ ALL INSTRUCTIONS BEFORE ASSEMBLY

1. Keep work area clean. Cluttered areas invite injuries. Do not set up near snow drifts, in slippery places, in high winds, or wet location.
2. Keep children away. All children should be kept away from the work area.
3. Don't over reach. Keep proper footing and balance at all times.
4. Do not assemble if under the influence of alcohol or drugs. Read warning labels on prescriptions to determine if your judgment or reflexes are impaired while taking drugs. If there is any doubt. Do not assemble.
5. Be aware of possible windy conditions; fasten the bases in concrete if these conditions are likely to occur. Remove the cover during hurricane.
6. Be careful with power and heat sources. Do not keep heat sources near the tarpaulin. Do not expose to open flame.
7. Be aware of personal safety during assembly and use. Be careful not to pinch fingers with clips and tubes when assembling: when using makes sure there is adequate ventilation for exhaust and other dangerous fumes.

Parts List

Part Code	Description	Quantity(pc)
1	Roof Bent Joist	5
2	Side Bent Joist	8
2A	Side Bent Joist for front door	2
3	Upright	10
4	Purlin	8
4A	Purlin for roof	4
5	Support Tube with one end swaged	4
5A	Support Tube	4
6	Tensioning Tube (4pcs/set)	2 sets
7	Tensioning Tube for back door	2
8	Winch	10
9A	Base Plate for front door(with ring)	2
9	Base Plate for back door	2
10	Base Plate for inner sidewall	6
11	Roof Cover	1
12	Front Cover	1
13	Back Cover	1
14	Cable Tie(long)	PE:80, PVC:105
14A	Cable Tie(short)	PE:65, PVC:85
15	Carriage Bolt M8x70 for No. 4, 4A	17
16	Bolt M8x60 for No.1,2,2A,3,20	60
17	Stake Peg with ring for No.7	1
18	Clip for No.5, 5A	8
19	Suspending Rod	1
20	Cross Beam with track	1
21	Belt for Winch	10
22	Pole for picking up zipper door	1
23	Angle for No.20	3
24	Stake Peg	24
25	Plastic Plug	4

Figure 1



L8 x W4 x H3.8m

EQUIPMENT AND TOOLS FOR INSTALLATION

- | | |
|----------------------------|------------------|
| 1. Measuring Tape | 5. Sledge Hammer |
| 2. String for alignment | 6. Drill |
| 3. Stakes | 7. Wrench |
| 4. Ladder or Scissors Lift | 8. Knife |

A- BASE INSTALLATION

Please refer to the diagram (Figure 2) to place the base plate square tube:

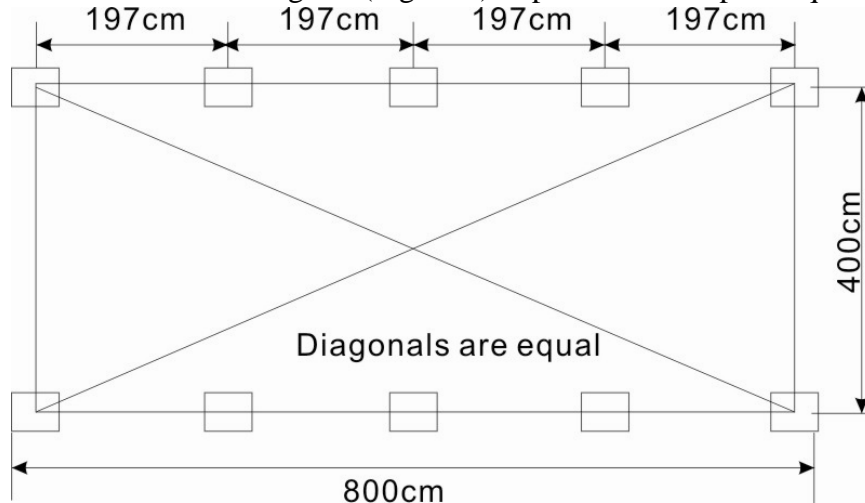


Figure 2

1. Referring to the above diagram and confirm the place of base plates. **ENSURE THAT THE FOUNDATION IS SQUARE.**
2. There are holes on the base plates for stake peg. Refer to Figure 3 to place the stake pegs into the ground, **THUS ALL BASE PLATES ARE SECURED.**

Foundation placement

As Figure 3 shows each base plate for inner sidewall (No.10) is equipped with 2 pieces of Stake Peg (No.24). Each base plate for front and back door (No.9A, 9) is equipped with 3 pieces of stake peg.

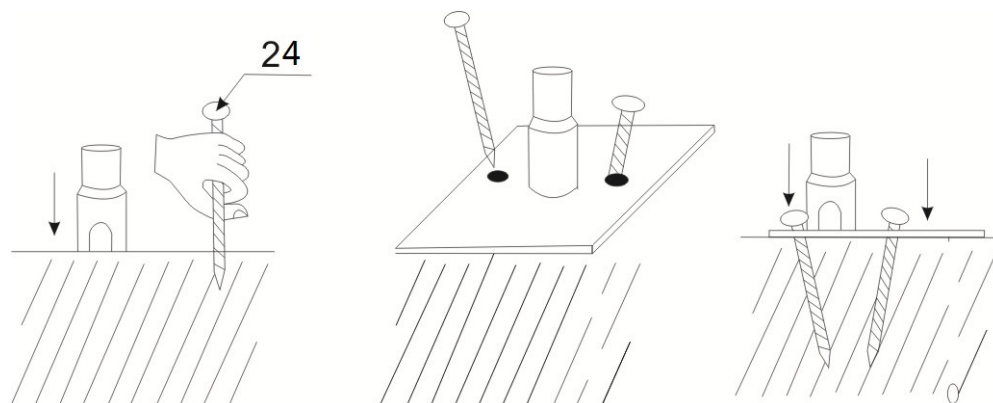


Figure 3

B---FRAME INSTALLATION

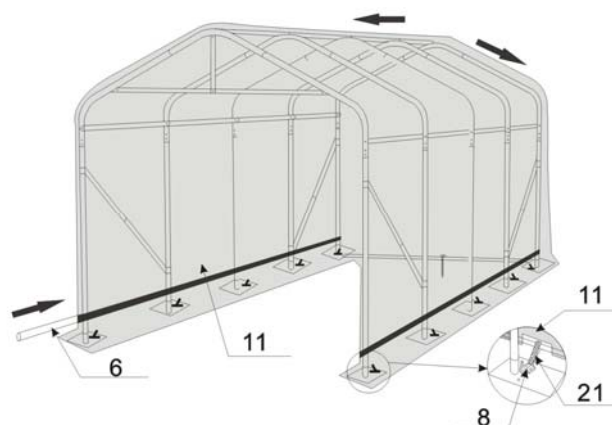
1. Please refer to Figure 1 the frame sketch. Find roof bent joist (No.1), side bent joist (No.2 & 2A) and upright (No.3) and connect them by bolts M8x60 (No.16) to be one arch. Put one end of the arch into the tube holder on the base plate, and push the other end into the other plate opposite and fasten them by bolts. DO NOT install the bolts on the top of the truss where the cover (fabric) will rest.
2. Lift another assembled arch into the base plates.
Note: the clip (No.18) should be installed first. Please refer to Figure 1.
3. Connect the purlin (No.4 & 4A) between the two arches by carriage bolt M8x70 (No.15).
4. By this way, install another arch and then connect them by purlins. There are 5 arches and 3 groups of the purlins. You may refer to Figure 1 to find where the parts are when you are doing this.
5. Install the support tube (No.5, 5A)
6. Install the cross beam (No.20) and suspending rod (No.19) for front door.
7. Install tensioning tube for back door (No.7), fix it by stake peg with ring (No.17)

C- INSTALLING THE ROOF COVER

NOTE: DO NOT install the cover onto the frame of your building in high wind conditions. A slight breeze is the most advantageous for cover installation. To take advantage of the breeze, pull the cover up over the arches with the breeze blowing in the cover like a sail filled with air.

1. Roll out the roof cover on a ground sheet. Align the cover evenly to each end of the frame.
2. Pull the cover over the frame **EVENLY, CAREFULLY AND SLOWLY**. Adjust the cover so that it is square and evenly centered on the frame. Insert the tensioning tubes (No.6) into the pockets and loosely secure the belt (No.21) in the winch. **DO NOT TIGHTEN.**

Figure 4



Note: The end flaps must overhang evenly at both ends.

3. Use cable tie (No.14) to tighten the roof cover to the end arches. Pull the belt through the reels of winch (No.8). Drive the winch tie down forth and back and then roof cover is tightened.

D-INSTALLING THE FRONT AND BACK COVER

1. Use cable tie (No.14A) to lace the grommets in front and back cover (No.12, 13).
Then the cover is fixed to the tensioning tubes and frame tightly and evenly.

Method of Fastening Front and Back Cover

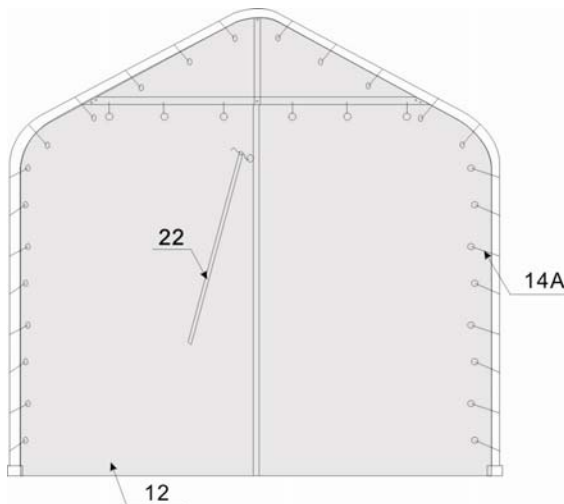


Figure 5

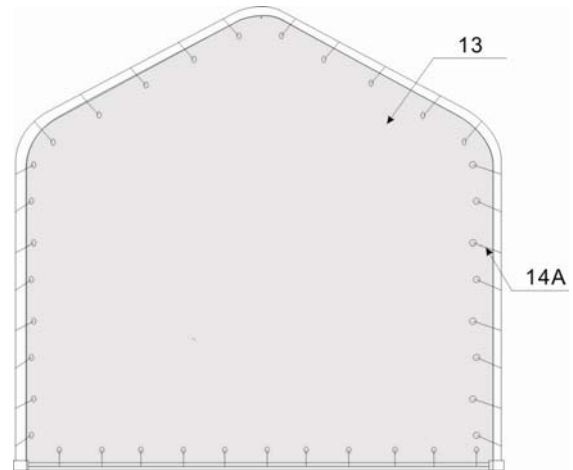


Figure 6

2. Tidy the roof cover, back cover and front cover. Fasten the band inside the end of the roof cover, make the cover well fold to the frame and tie the end of the band to the stake peg (No.24).

Now your assembly is completed.